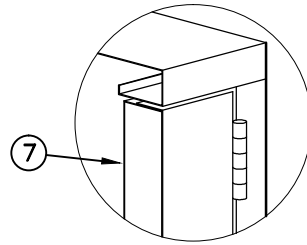
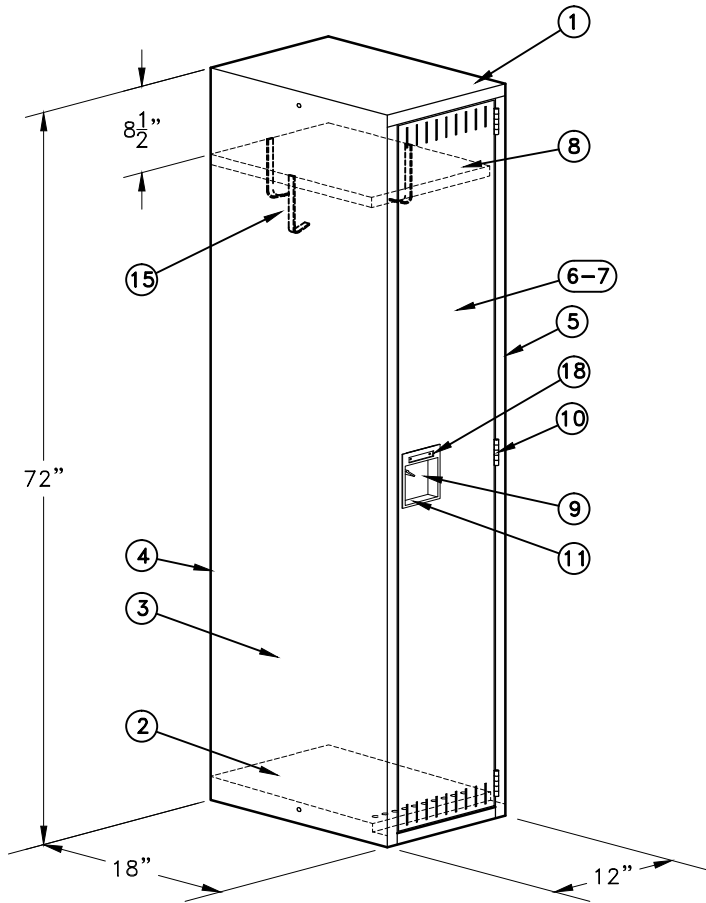


SINGLE UNIT
C12181TGR1

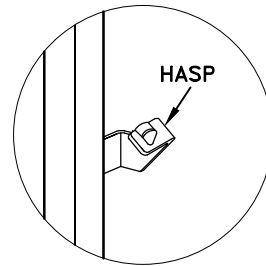
DOUBLE UNIT
C12181TGR2

TRIPLE UNIT
C12181TGR3

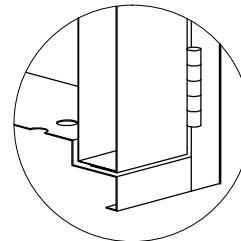
QUAD UNIT
C12181TGR4



**RIGHT TOP
CORNER DETAIL**



**1 POINT LATCH
NON MOVING PART**



**RIGHT LOWER
CORNER DETAIL**

TECHNICAL SPECIFICATIONS

ITEM	DESCRIPTION	MATERIALS	NOTES
1	TOP	24 GA CRS	
2	PERFORATED BOTTOM	22 GA CBS	GALVANNEAL
3	SIDES	22 GA CRS	
4	BACK	24 GA CRS	
5	FRAME	22 GA CRS	
6	PERFORATED DOOR	22 GA CRS	
7	INSIDE PANEL	24 GA CRS	
8	SHELF	24 GA CRS	
9	HASP	12 GA CRS	
10	2-1/2" HINGES 5 KNUCKLES	14 GA CRS	
11	HANDLE	PLASTIC	
12	NYLON LATCH		

OPTIONS

ITEM	DESCRIPTION	MATERIALS	REQUIRED
13	DOOR STIFFENER	24 GA CRS	NO
14	SLOPING TOP	20 GA CRS	
15	HOOK	FLAT 1/2 X 1/8	3
16	COAT BAR	SATIN COAT	NO
17	RECESSED BASE (BLACK COLOR)	18 GA CRS	
18	NUMBER PLATES ___ TO ___	PLASTIC	

PAINT SPECIFICATIONS

STEEL TREATED AGAINST RUST
BAKED ENAMEL FINISH

COLOR < BODY: _____
DOOR: _____

CLIENT _____

SIGNATURE _____

PROJECT _____

QUOTATION #:

HISTORY

REV.	DATE	DRAFT BY	APPROVED BY
1	12/19/14	M.Ross	
2			
3			

TITLE

1 TIER LOCKER
12 X 18 X 72



PLUS