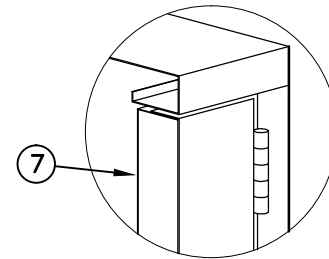


SINGLE UNIT
E12182TGR1

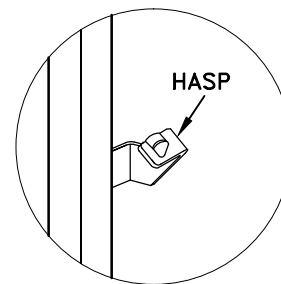
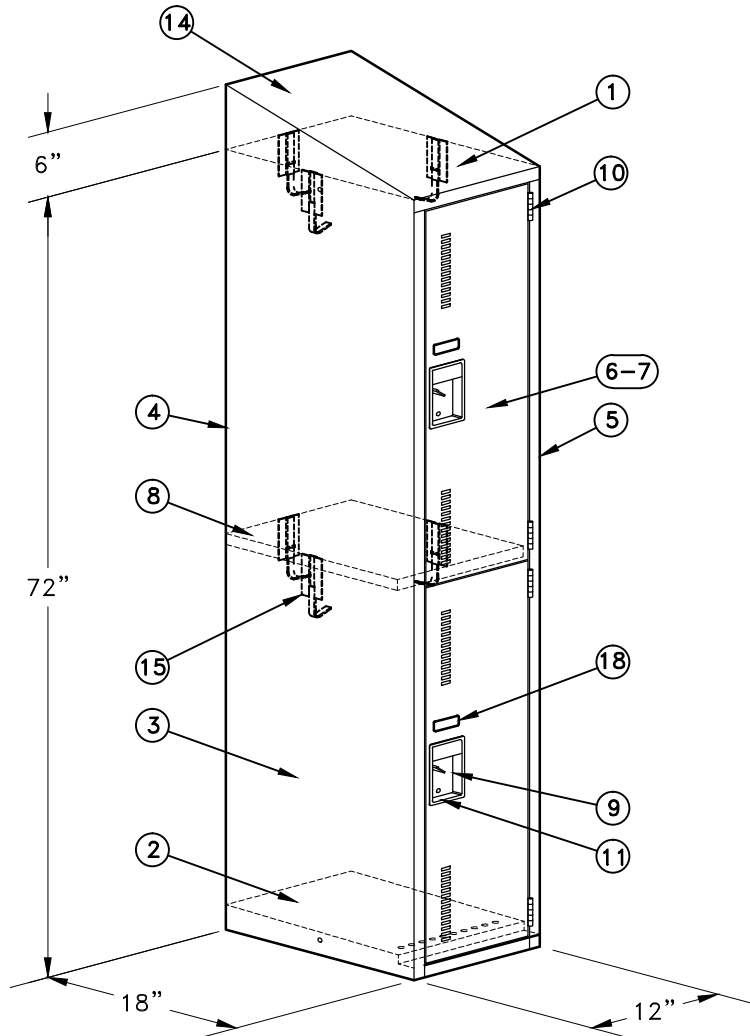
DOUBLE UNIT
E12182TGR2

TRIPLE UNIT
E12182TGR3

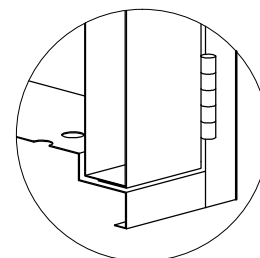
QUAD UNIT
E12182TGR4



HINGE SIDE TOP
CORNER DETAIL



1 POINT LATCH
NON MOVING PART



HINGE SIDE LOWER
CORNER DETAIL

TECHNICAL SPECIFICATIONS

ITEM	DESCRIPTION	MATERIALS	NOTES
1	TOP	22 GA CRS	
2	PERFORATED BOTTOM	22 GA CBS	GALVANNEAL
3	SIDES	24 GA CRS	
4	BACK	24 GA CRS	
5	FRAME	16 GA CRS	
6	PERFORATED DOOR	20 GA CRS	
7	INSIDE PANEL	24 GA CRS	
8	SHELF	22 GA CRS	
9	HASP	12 GA CRS	
10	2-1/2" HINGES 5 KNUCKLES 14 GA CRS		
11	HANDLE	BLACK	
12	NYLON LATCH		

OPTIONS

ITEM	DESCRIPTION	MATERIALS	REQUIRED
13	DOOR STIFFENER	24 GA CRS	NO
14	SLOPING TOP	20 GA CRS	YES
15	HOOK	FLAT 1/2 X 1/8	3
16	COAT BAR	SATIN COAT	NO
17	RECESSED BASE (BLACK COLOR)	18 GA CRS	NO
18	NUMBER PLATES ___ TO ___	PLASTIC	NO

PAINT SPECIFICATIONS

STEEL TREATED AGAINST RUST
BAKED ENAMEL FINISH

COLOR < BODY: _____
DOOR: _____

CLIENT _____

SIGNATURE _____

PROJECT _____

QUOTATION #:

HISTORY

REV.	DATE	DRAFT BY	APPROVED BY
1	02/06/15	M.Ross	
2			
3			

TITLE **DOUBLE TIER LOCKER SERIE "E"**
12 X 18 X 72

