

### TECHNICAL SPECIFICATIONS

ITEM	DESCRIPTION	MATERIALS	NOTES
1	TOP	24 GA CRS	
2	PERFORATED BOTTOM	22 GA CBS	GALVANNEAL
3	SIDES	22 GA CRS	
4	BACK	24 GA CRS	
5	FRAME	22 GA CRS	
6	PERFORATED DOOR	22 GA CRS	
7	INSIDE PANEL	24 GA CRS	
8	SHELF	24 GA CRS	
9	HASP	12 GA CRS	
10	2-1/2" HINGES 5 KNUCKLES 14 GA CRS		
11	HANDLE	PLASTIC	
12	NYLON LATCH		

### OPTIONS

ITEM	DESCRIPTION	MATERIALS	REQUIRED
13	DOOR STIFFENER	24 GA CRS	NO
14	SLOPING TOP	20 GA CRS	NO
15	HOOK	FLAT 1/2 X 1/8	3
16	COAT BAR	SATIN COAT	NO
17	RECESSED BASE (BLACK COLOR)	18 GA CRS	NO
18	NUMBER PLATES ___ TO ___	PLASTIC	NO

### PAINT SPECIFICATIONS

STEEL TREATED AGAINST RUST  
BAKED ENAMEL FINISH

COLOR < BODY: \_\_\_\_\_  
DOOR: \_\_\_\_\_

CLIENT \_\_\_\_\_

SIGNATURE \_\_\_\_\_

PROJECT \_\_\_\_\_

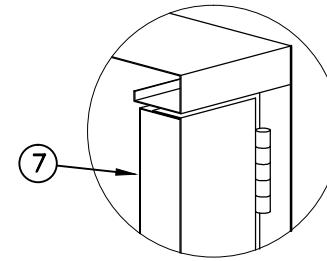
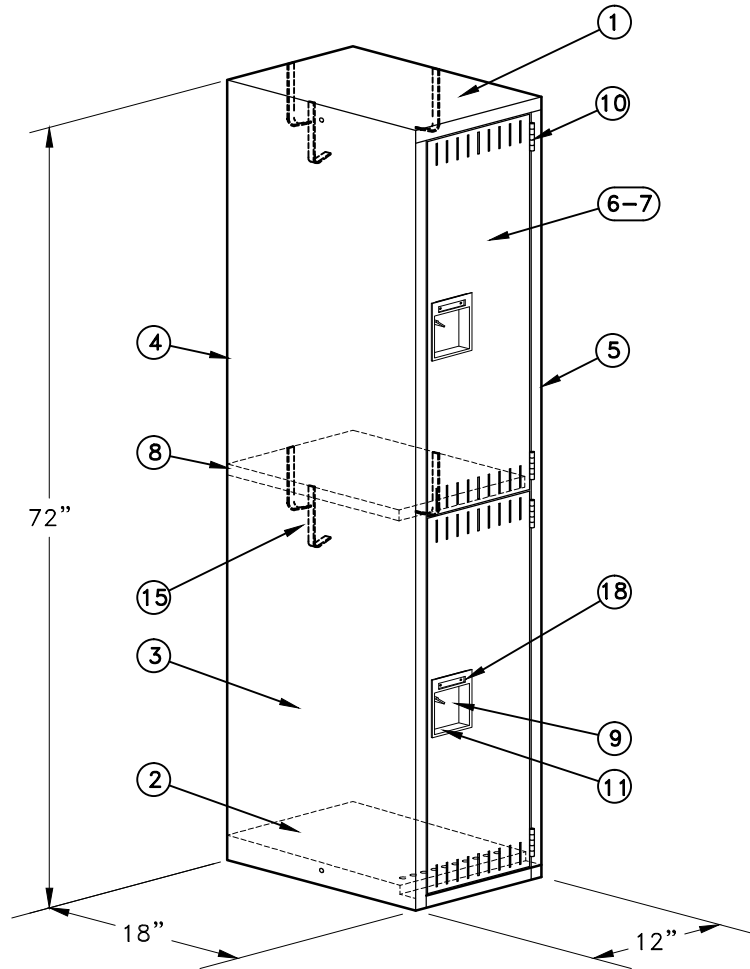
QUOTATION #:

### HISTORY

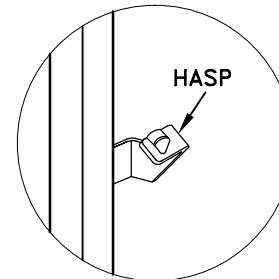
REV.	DATE	DRAFT BY	APPROVED BY
1	12/16/14	M.Ross	
2			
3			

TITLE DOUBLE TIER LOCKER  
12 X 18 X 72

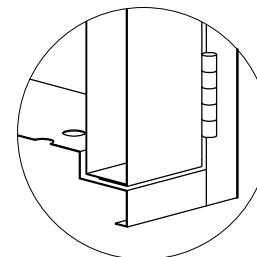
**ALB**  
PLUS



RIGHT TOP  
CORNER DETAIL



1 POINT LATCH  
NON MOVING PART



RIGHT LOWER  
CORNER DETAIL