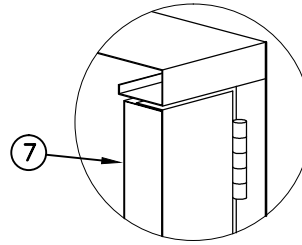


SINGLE UNIT
E12181TGR1

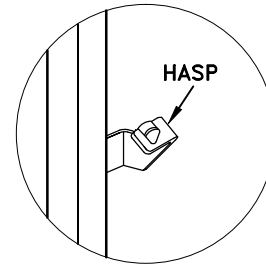
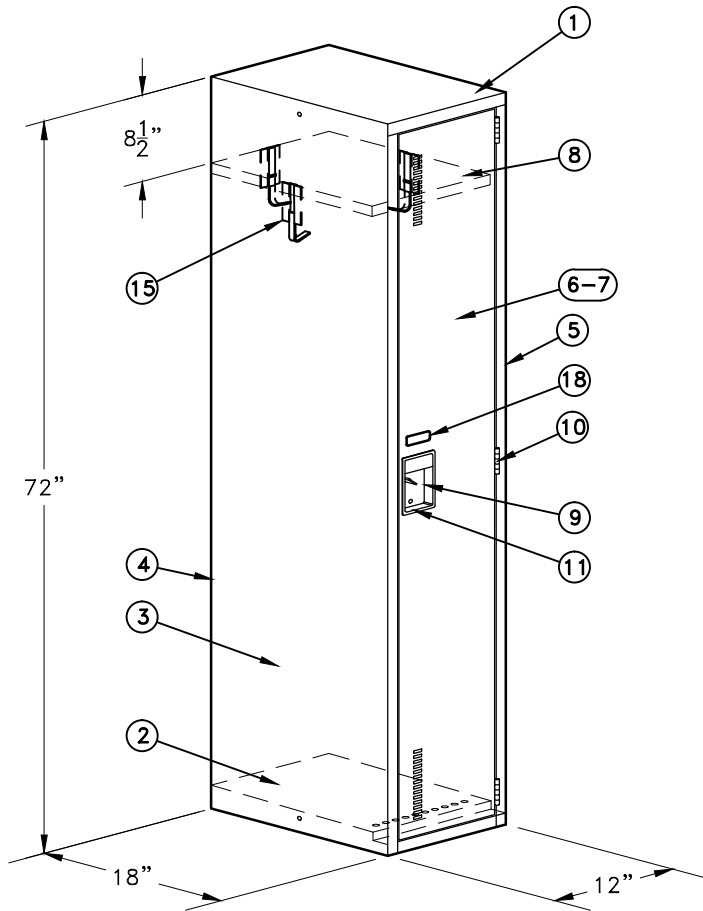
DOUBLE UNIT
E12181TGR2

TRIPLE UNIT
E12181TGR3

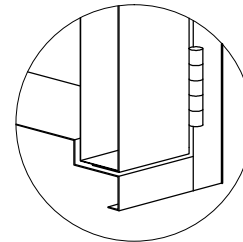
QUAD UNIT
E12181TGR4



**RIGHT TOP
CORNER DETAIL**



**1 POINT LATCH
NON MOVING PART**



**RIGHT LOWER
CORNER DETAIL**

TECHNICAL SPECIFICATIONS

ITEM	DESCRIPTION	MATERIALS	NOTES
1	TOP	22 GA CRS	
2	PERFORATED BOTTOM	22 GA CBS	GALVANNEAL
3	SIDES	24 GA CRS	
4	BACK	24 GA CRS	
5	FRAME	16 GA CRS	
6	PERFORATED DOOR	20 GA CRS	
7	INSIDE PANEL	24 GA CRS	
8	SHELF	22 GA CRS	
9	HASP	12 GA CRS	
10	2-1/2" HINGES 5 KNUCKLES	14 GA CRS	
11	HANDLE	STAINLESS	
12	NYLON LATCH		

OPTIONS

ITEM	DESCRIPTION	MATERIALS	REQUIRED
13	DOOR STIFFENER	24 GA CRS	
14	SLOPING TOP	20 GA CRS	
15	HOOK	FLAT 1/2 X 1/8	3
16	COAT BAR	SATIN COAT	NO
17	RECESSED BASE (BLACK COLOR)	18 GA CRS	
18	NUMBER PLATES ___ TO ___	PLASTIC	

PAINT SPECIFICATIONS

STEEL TREATED AGAINST RUST
BAKED ENAMEL FINISH

COLOR < BODY: _____
DOOR: _____

CLIENT _____

SIGNATURE _____

PROJECT _____

QUOTATION #: _____

HISTORY			
REV.	DATE	DRAFT BY	APPROVED BY
1	02/13/15	M.Ross	
2			
3			

TITLE **1 TIER LOCKER
12 X 18 X 72**



PLUS