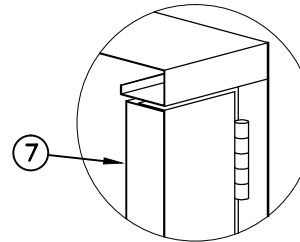


SINGLE UNIT
P12181TGR1

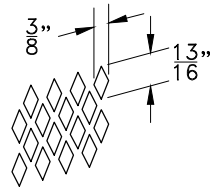
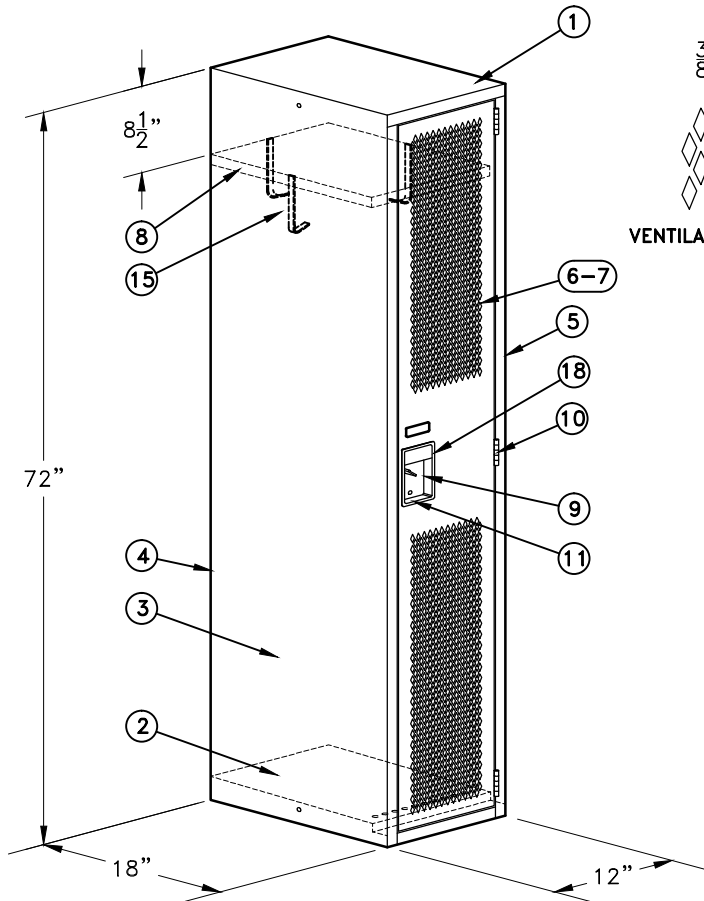
DOUBLE UNIT
P12181TGR2

TRIPLE UNIT
P12181TGR3

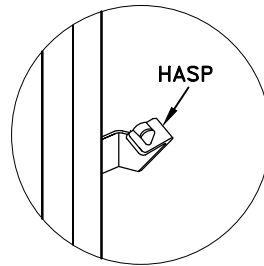
QUAD UNIT
P12181TGR4



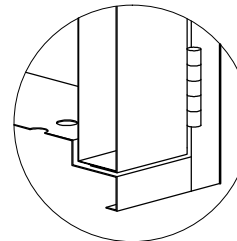
RIGHT TOP CORNER DETAIL



VENTILATION DETAILS



**1 POINT LATCH
NON MOVING PART**



RIGHT LOWER CORNER DETAIL

TECHNICAL SPECIFICATIONS

ITEM	DESCRIPTION	MATERIALS	NOTES
1	TOP	24 GA CRS	
2	PERFORATED BOTTOM	22 GA CBS	GALVANNEAL
3	SIDES	22 GA CRS	
4	BACK	24 GA CRS	
5	FRAME	22 GA CRS	
6	PERFORATED DOOR	20 GA CRS	
7	INSIDE PANEL	24 GA CRS	
8	SHELF	24 GA CRS	
9	HASP	12 GA CRS	
10	2-1/2" HINGES 5 KNUCKLES 14 GA CRS		
11	HANDLE	BLACK	
12	NYLON LATCH		

OPTIONS

ITEM	DESCRIPTION	MATERIALS	REQUIRED
13	DOOR STIFFENER	24 GA CRS	NO
14	SLOPING TOP	20 GA CRS	
15	HOOK	FLAT 1/2 X 1/8	3
16	COAT BAR	SATIN COAT	NO
17	RECESSED BASE (BLACK COLOR)	18 GA CRS	
18	NUMBER PLATES ___ TO ___	PLASTIC	

PAINT SPECIFICATIONS

STEEL TREATED AGAINST RUST
BAKED ENAMEL FINISH

COLOR < BODY: _____
DOOR: _____

CLIENT _____

SIGNATURE _____

PROJECT _____

QUOTATION #:

HISTORY

REV.	DATE	DRAFT BY	APPROVED BY
1	04/17/15	M.Ross	
2			
3			

TITLE 1 TIER LOCKER (DIAMOND SHAPE PERFORATED)
12 X 18 X 72



PLUS